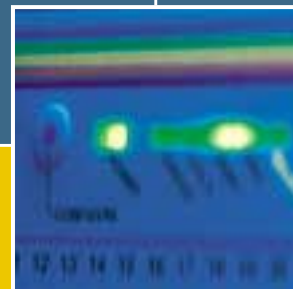
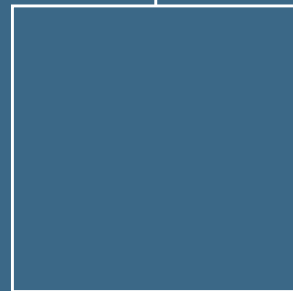


CAM

QUICK INSTALL GUIDE



CAM Quick Install Guide
Document Number C613-04037-01 REV B.

Copyright © 2002 Allied Telesyn International, Corp. 19800 North Creek Parkway, Suite 200, Bothell, WA 98011, USA.

All rights reserved. No part of this publication may be reproduced without prior written permission from Allied Telesyn.

Allied Telesyn International, Corp. reserves the right to make changes in specifications and other information contained in this document without prior written notice. The information provided herein is subject to change without notice. In no event shall Allied Telesyn be liable for any incidental, special, indirect, or consequential damages whatsoever, including but not limited to lost profits, arising out of or related to this manual or the information contained herein, even if Allied Telesyn has been advised of, known, or should have known, the possibility of such damages.

All trademarks are the property of their respective owners.

Models Covered By This Guide

This Quick Install Guide includes information on installing the following Content Addressable Memory (CAM) modules:

- SwitchCAM
- LineCAM

Quick Install Guide updates can be downloaded from www.alliedtelesyn.co.nz.

Package Contents

The following items are included with each CAM. Contact your sales representative if any items are damaged or missing.

- One CAM.
- One CAM Quick Install Guide.
- Screws to secure CAM to the base board's mounting pillars.
- One warranty card.

Installing CAM On A SwitchBlade

Follow these instructions to install SwitchCAM on a SwitchBlade switch controller or LineCAM on a SwitchBlade line card.

To install CAM in an AT-9800 series switch, see "Installing CAM In An AT-9800 Series Switch" on page 6.

Compatible Switch Controllers and Line Cards

Two SwitchCAM modules can be installed on each SB4211 switch controller. If a system has two switch controllers, both must be upgraded so that they have the same number of CAM modules.

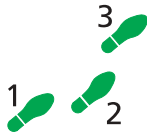
One LineCAM module can be installed on each the following line cards:

- AT-SB4411 8-port 10BASE-T/100BASE-TX/1000BASE-T (RJ-45) Line Card
- AT-SB4441 8-port 1000BASE-X (GBIC) Line Card
- AT-SB4451 8-port 1000BASE-SX (SC) Line Card
- AT-SB4452 8-port 1000BASE-SX (MT-RJ) Line Card
- AT-SB4461 8-port 1000BASE-LX (SC) Line Card
- AT-SB4462 8-port 1000BASE-LX (MT-RJ) Line Card



LineCAM can also be installed in AT-9800 series switches.

SwitchCAM and LineCAM are not interchangeable. When installed in the SwitchBlade, SwitchCAM can only be used with switch controllers, and LineCAM can only be used with the line cards listed in the previous section.



To install Switch or LineCAM on a SwitchBlade:

1. Check that you have the correct tools and equipment.

If the switch controller or line card is already installed in a chassis, you will need a Phillips #2 screwdriver, to remove the controller or card.

2. Avoid injury by working in a safe environment.

The workspace should be free of hazards, and there should be sufficient room to lay out the switch controller or line card, CAM, and tools.

3. Unpack the CAM in an antistatic environment.



Do not attempt to install any hardware without observing correct antistatic procedures. Failure to do so may damage the switch controller, line card, or CAM. If you are unsure what the correct procedures are, contact your authorised Allied Telesyn distributor or reseller.

4. Remove the switch controller or card.

If the switch controller or line card is installed in a chassis, disconnect its management or network cables and remove the controller or card.

Switch controllers and line cards can be hot swapped. See the *Switch Controller Quick Install Guide* or *Line Card Quick Install Guide* for more information.



When upgrading CAM on a SwitchBlade system that includes two switch controllers, both controllers must be upgraded at the same time. Each switch controller requires two CAM modules for the upgrade.

5. Align the CAM.

Position the CAM over the CAM slot(s) on the switch controller or line card. The support pillars located on the board should be aligned with the holes on the CAM, and the CAM's chamfers should be orientated as shown in Figure 1 and Figure 2 on page -5.

6. Insert the CAM.

Press the CAM firmly into place. Secure the CAM to the support pillars using the supplied screws. SwitchCAM uses two mounting pillars, while LineCAM uses three mounting pillars.

If installing CAM on a switch controller, repeat the process for the second CAM slot.

Figure 1: Location of CAM slot and pillar mounts on an SB4211 switch controller.

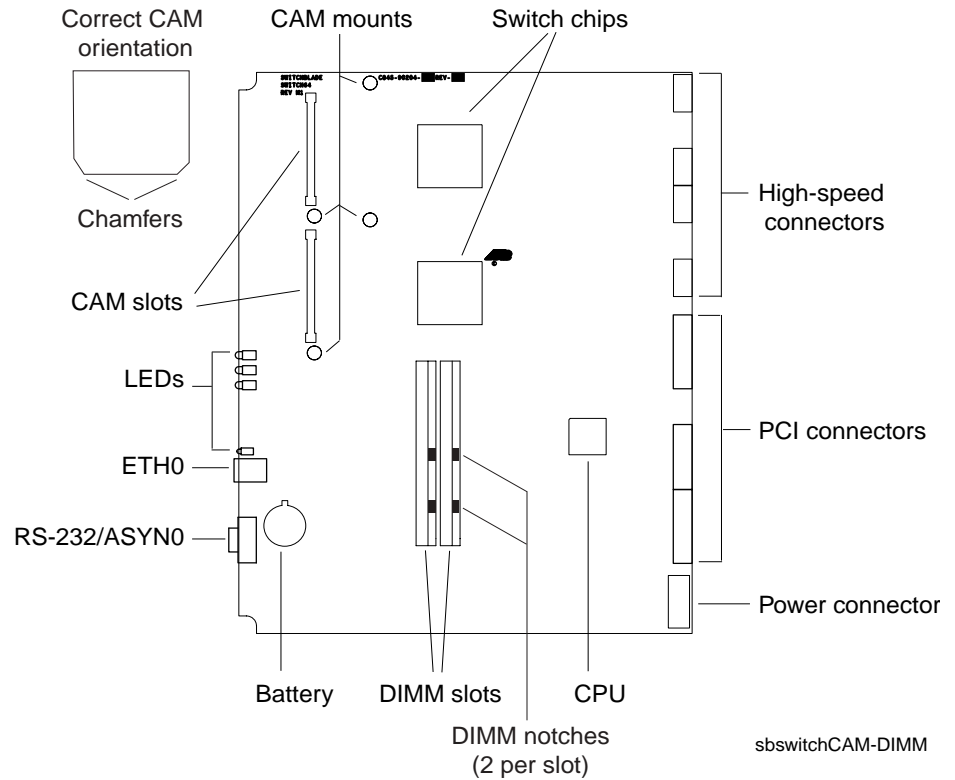
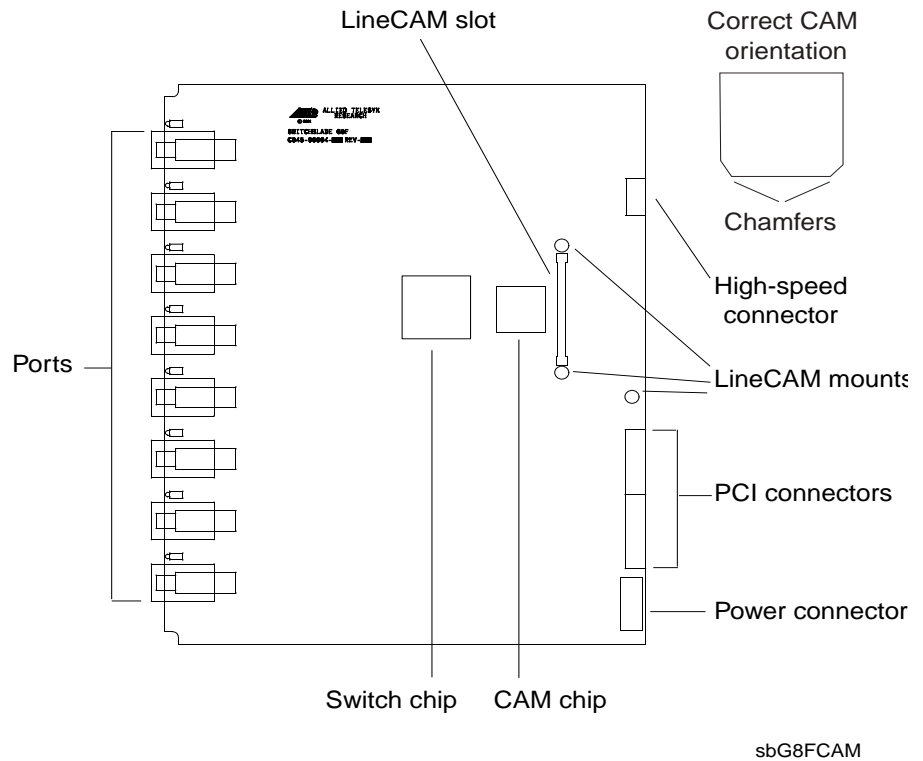


Figure 2: Location of the CAM slot on Line Cards.



7. Install the switch controller or line card.

Insert the switch controller or line card into a chassis.

See the *Switch Controller Quick Install Guide* or *Line Card Quick Install Guide* for more information on installing controllers and cards.

8. Connect management and network cables.

Reconnect any management or network cables you disconnected to install the CAM, or connect any new cables.

The CAM is now ready to test. See “Testing CAM” on page 7 for test procedures.

Installing CAM In An AT-9800 Series Switch

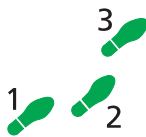


CAM should only be installed in AT-9800 series switches by authorised service personnel. Unauthorised opening of a switch’s lid may cause danger of injury from electric shock, damage to the switch, and invalidation of the product warranty.

Follow these instructions to install LineCAM in an AT-9800 series switch.

One LineCAM module can be installed in each AT-9800 series switch.

To install CAM on a SwitchBlade, see “Installing CAM On A SwitchBlade” on page 3.



To install LineCAM in an AT-9800 series switch:

1. Avoid injury by working in a safe environment.

The workspace should be free of hazards, and there should be sufficient room to lay out the switch, CAM, and tools.

2. Unpack the CAM in an antistatic environment.



Do not attempt to install any hardware without observing correct antistatic procedures. Failure to do so may damage the switch or CAM. If you are unsure what the correct procedures are, contact your authorised Allied Telesyn distributor or reseller.

3. If fitted, disconnect the switch’s redundant power supply.

4. Disconnect the mains power cord.



Before removing the switch’s lid, the power cord and, if connected, RPS power cord should be disconnected to reduce risk of electrical shock.

5. Remove all interface cables.

6. Remove the switch’s lid.

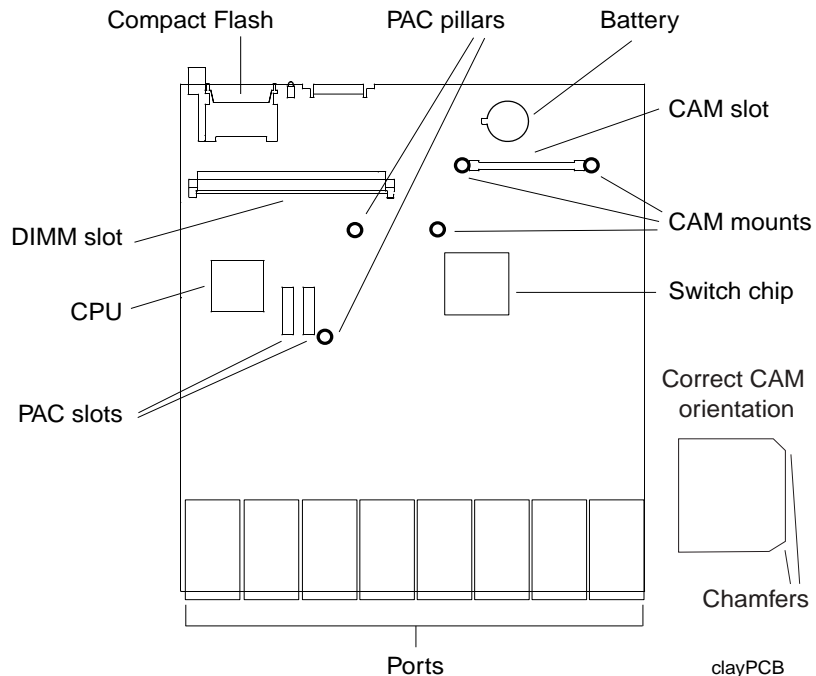
The switch may need to be removed from any rack mounting system before its lid can be removed.

Using a posidrive screwdriver, remove the 12 screws that secure the switch’s lid. There are 5 screws located in countersunk holes on each side of the lid, and 2 screws at the rear.

7. Align the CAM.

Position the CAM over the CAM slot on the switch's PCB. The three support pillars located on the board should be aligned with the holes on the CAM, and the CAM's chamfers should be pointing to the switch's PSU (see Figure 3 on page -7).

Figure 3: AT-9800 Series CAM slot and pillar mounts.



8. Insert the CAM.

Press the CAM firmly into place. Secure the CAM to the support pillars using the supplied screws.

The CAM is now ready to test.

Testing CAM

To check that the switch has recognised the CAM, turn on the switch and enter the command:

```
SHOW SWITCH
```

to display system information, including the amount of CAM installed.

If there is no entry for the CAM, or the entry displays an unexpected value, then the switch has not correctly detected the CAM's presence. The most likely cause is that the CAM is not correctly plugged into the CAM slot. Repeat the installation process, paying particular attention to the CAM alignment and insertion steps.

Use the SHOW SWITCH command again, and if the display is still not correct, contact your authorised Allied Telesyn distributor or reseller.

Where To Find More Information

Sources of further information:

- The Documentation and Tools CD-ROM bundled with your switch, which contains the complete Documentation Set for your switch and its expansion options, as well as tools for managing the switch.
- The Safety and Statutory Information Booklet for your switch, which provides safety and statutory information for the switch and CAM.
- The Hardware Reference for your switch, which provides detailed information on switch and CAM hardware features.
- The Software Reference for your switch, which provides detailed information on configuring the switch and its software.
- www.alliedtelesyn.co.nz